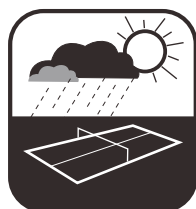


PING PONG KITE ASSEMBLE INSTRUCTION



OUTDOOR

IMPORTATO DA



NORDITALIA RICAMBI SRL
ITALY

! Before starting to assemble the tt-table and before using it for the first time please read the assembly instructions and the information for the user very carefully. They contain important advices for safety when using the table. Please keep the instructions for your information, for maintenance and for ordering spare parts as long as you use the tt-table.

- ★ At least **two adults** have to participate in the assembly of the tt-table which should be carried out on a clean and soft floor.
- ★ Before commencing the assembly, check all the parts according to the Parts List and make sure that are all present and correct.
- ★ Please follow the ABC references for the order of the assembly.
- ★ If these is a **text mark**, please read the explanation on page 9.
- ★ If these in a **part mark**, please read the information relating to it in the Parts List on page 10.
- ★ Please use the tools as indicated for each of the assembly stages.
- ★ For easy assembly, pls don't tighten the screws until the last step.



—— Text mark

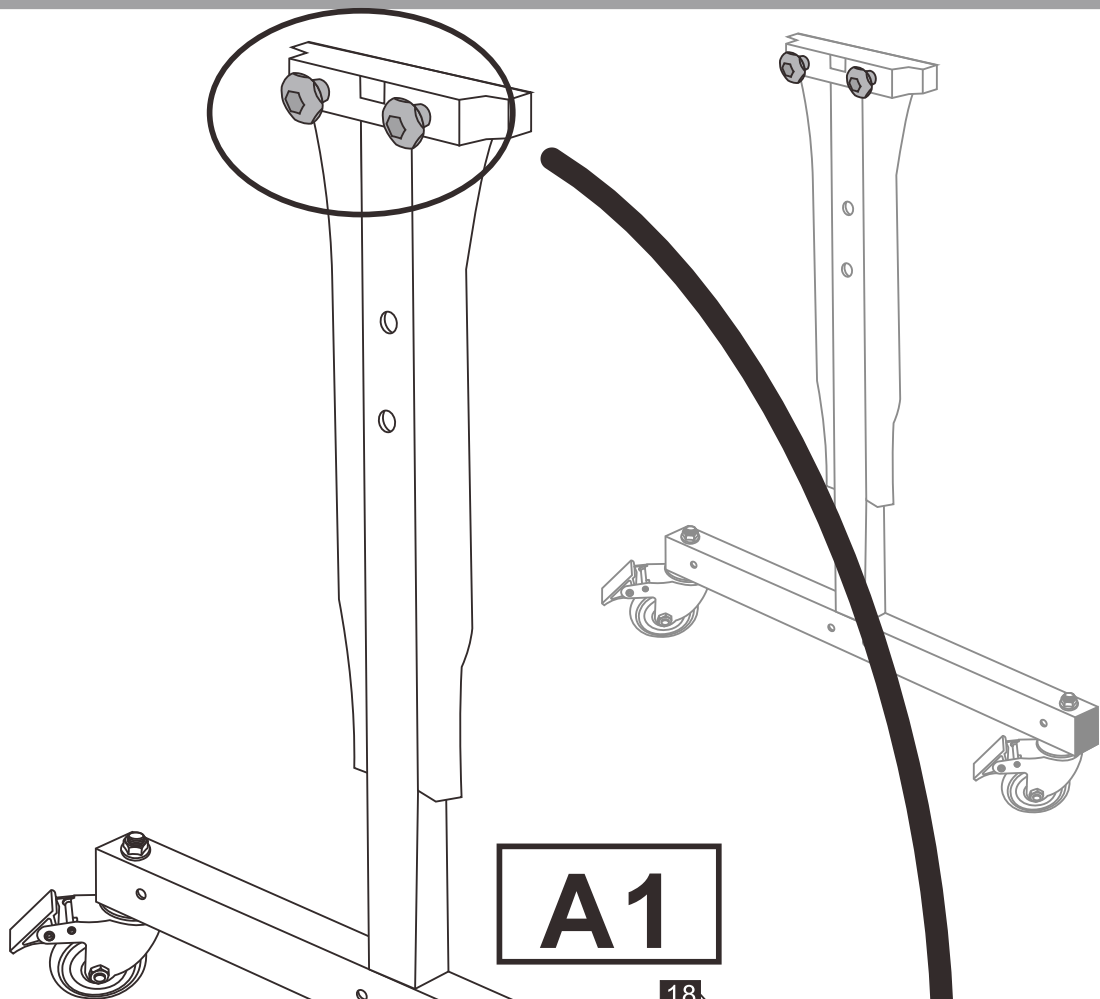
13

—— Part mark



—— Tool

A



A1

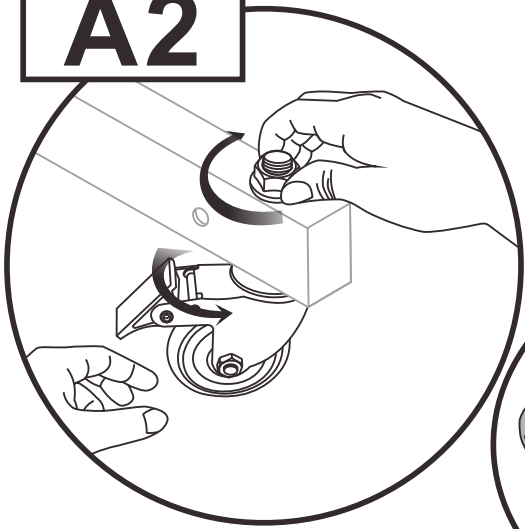
18

20

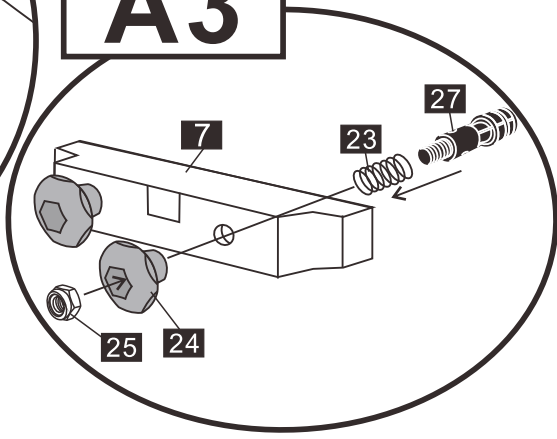
7

12

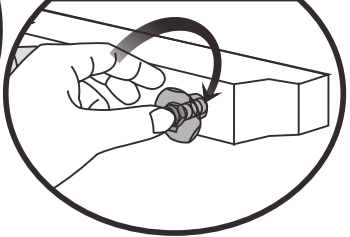
A2



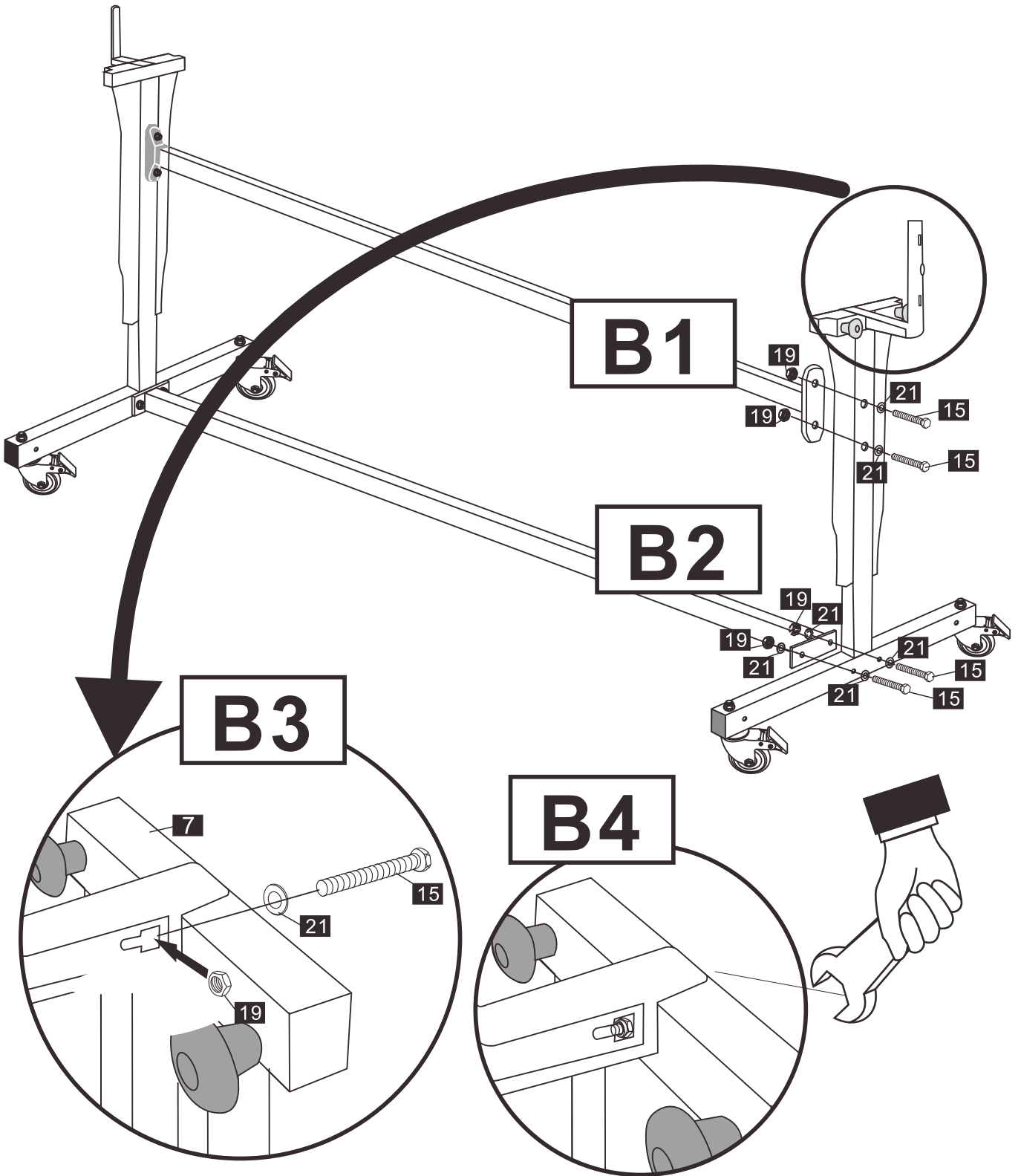
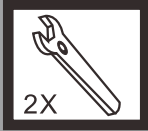
A3



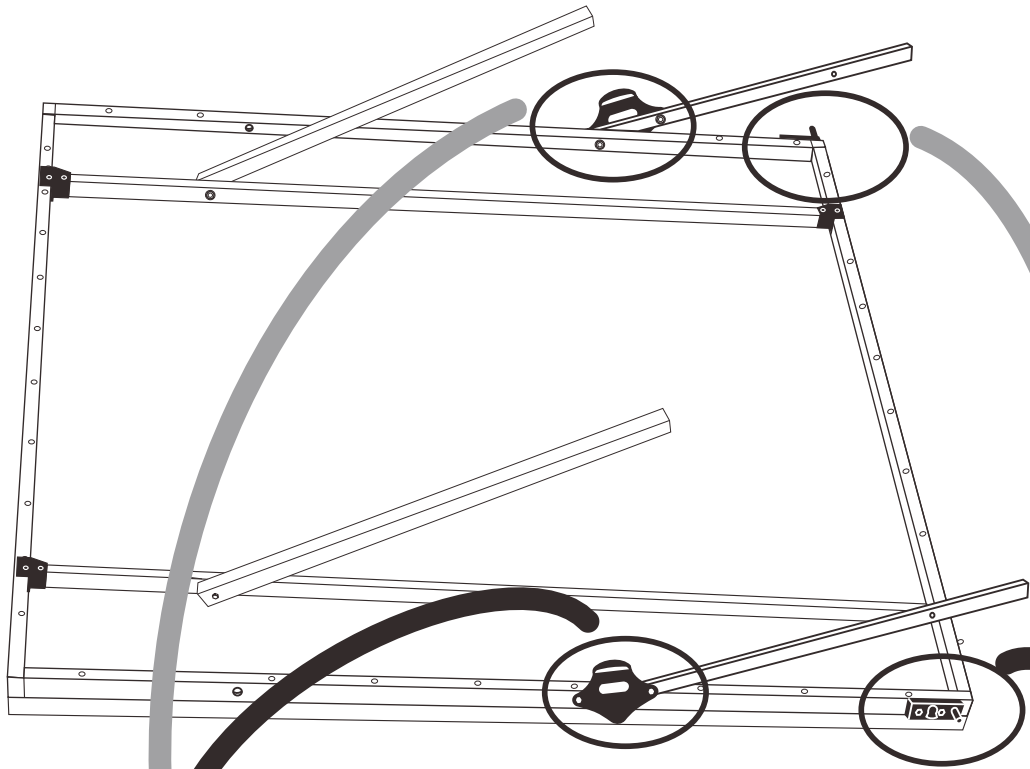
A4



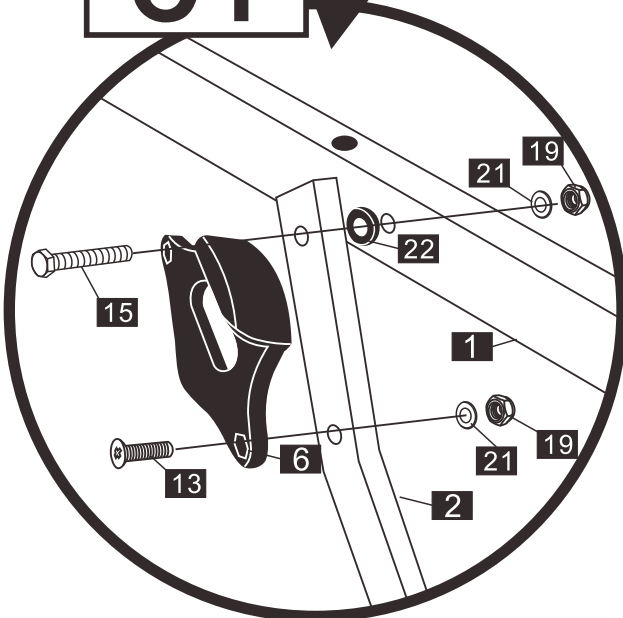
B



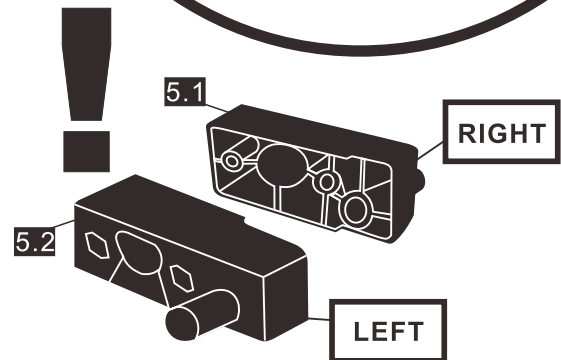
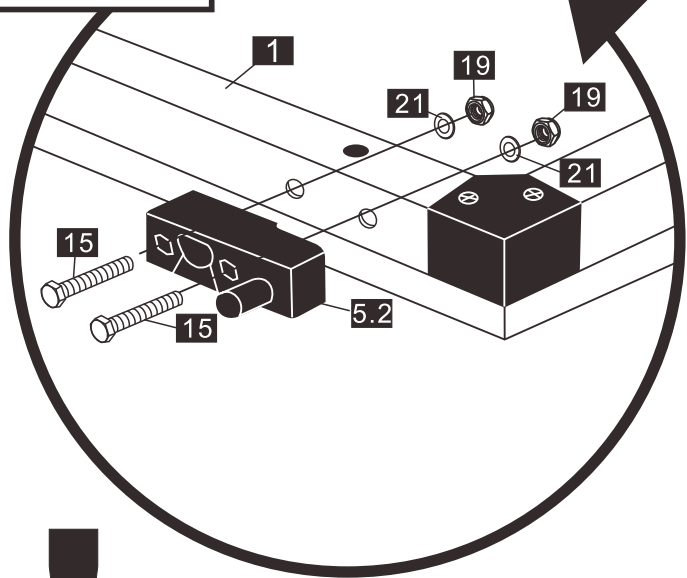
C



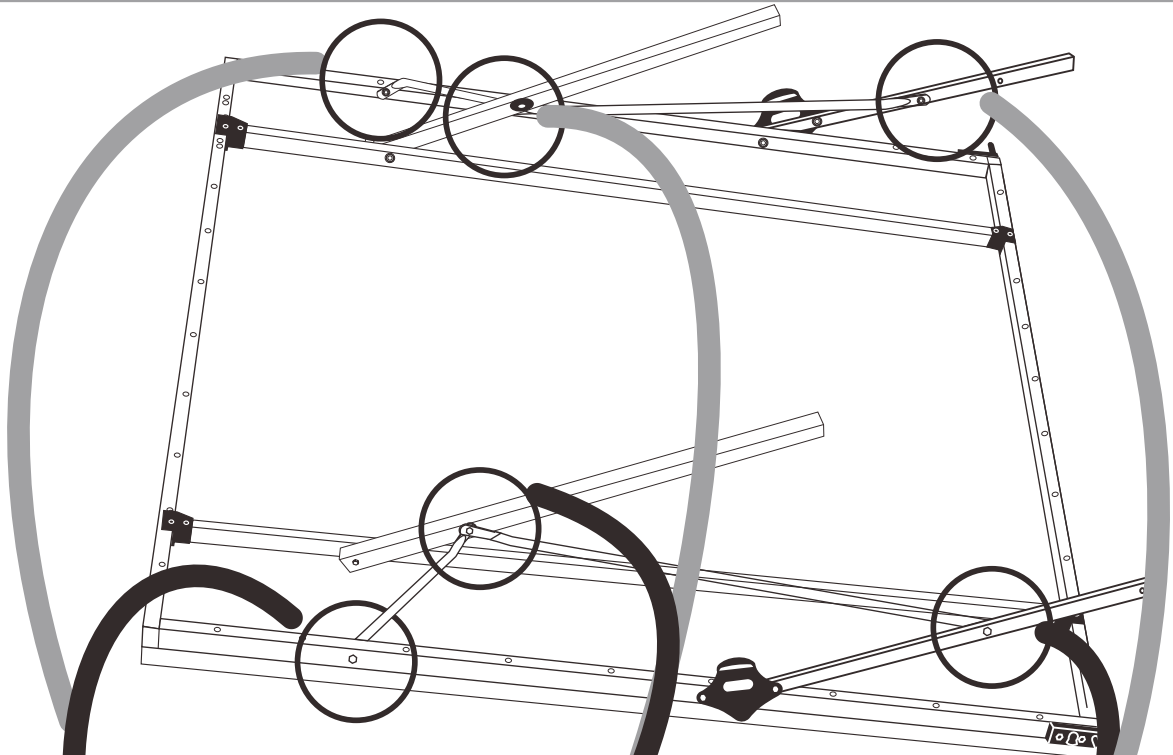
C1



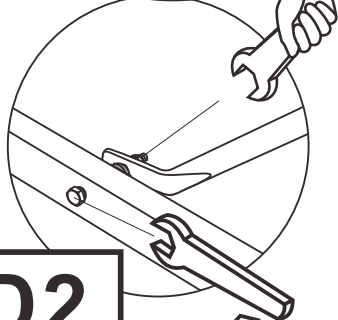
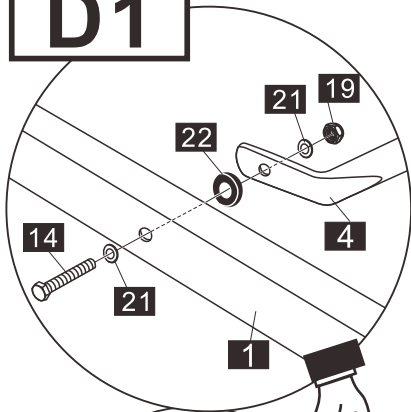
C2



D

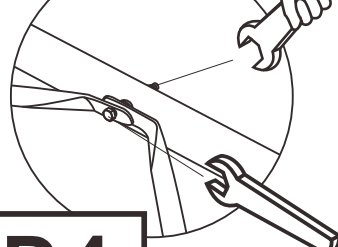
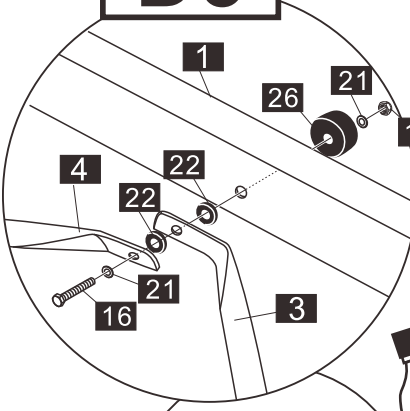


D1



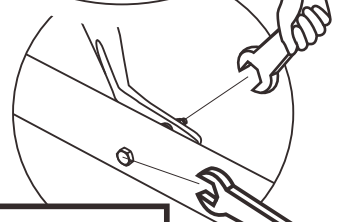
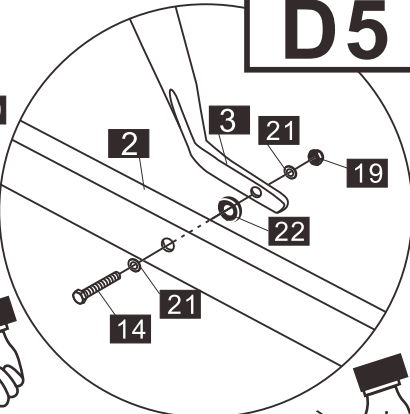
D2

D3



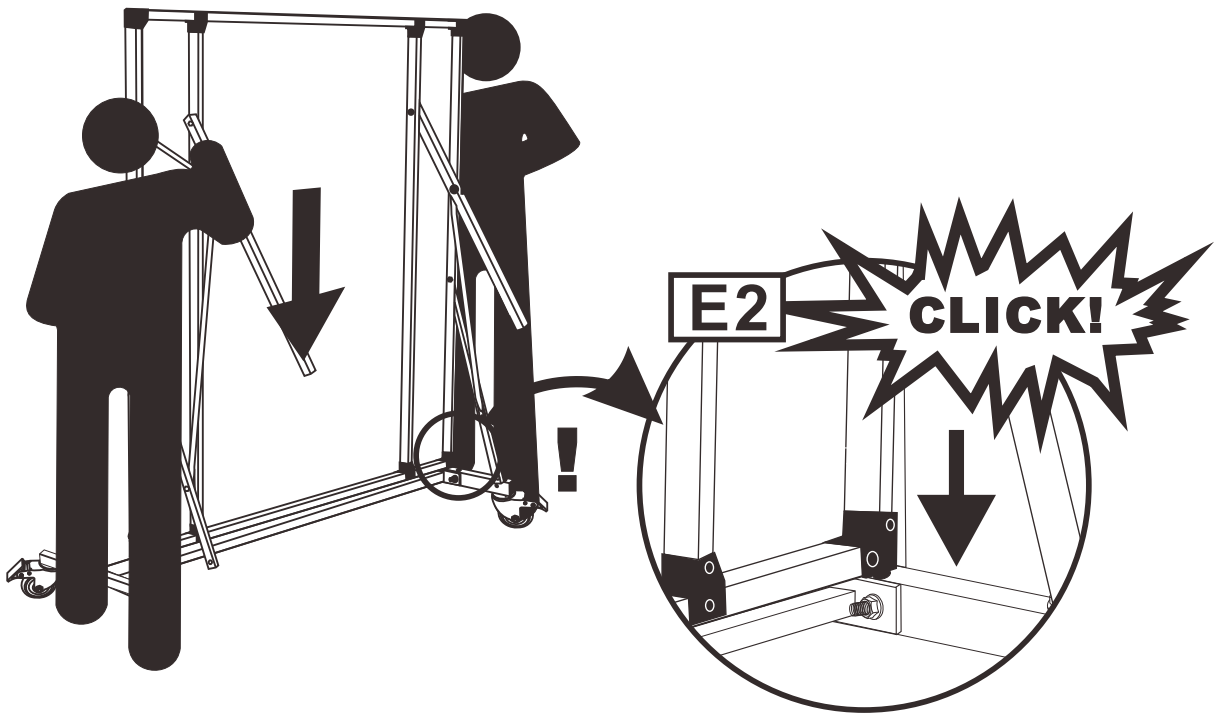
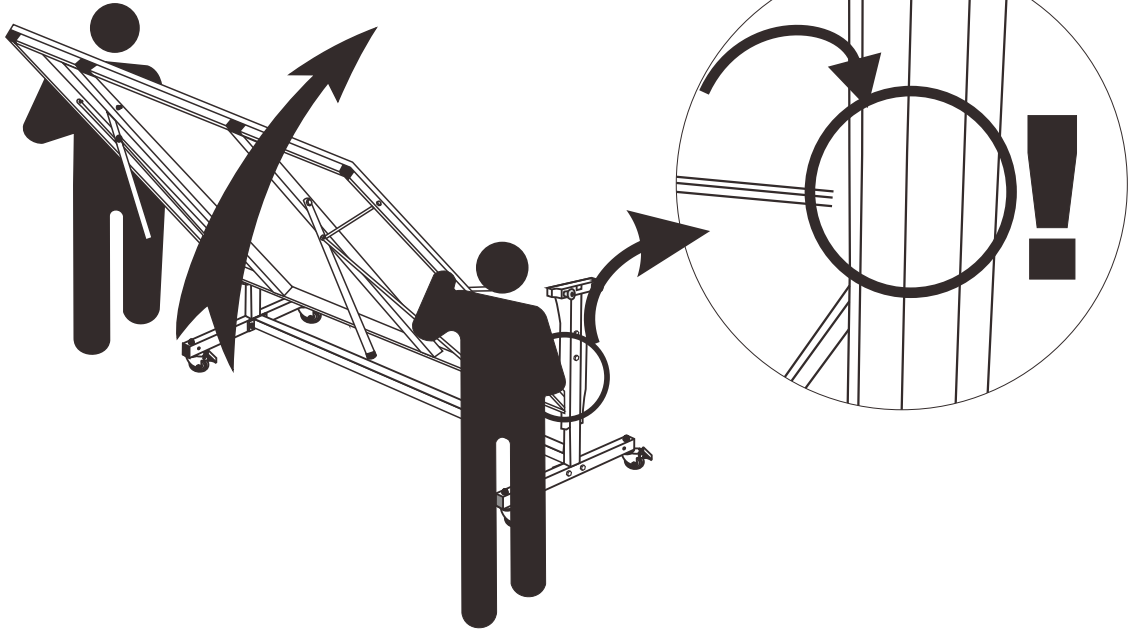
D4

D5

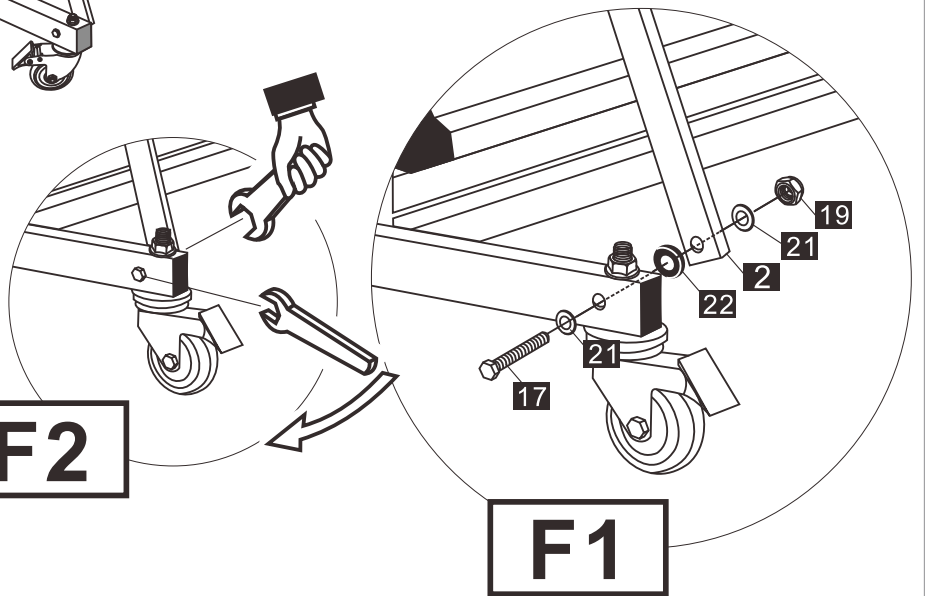
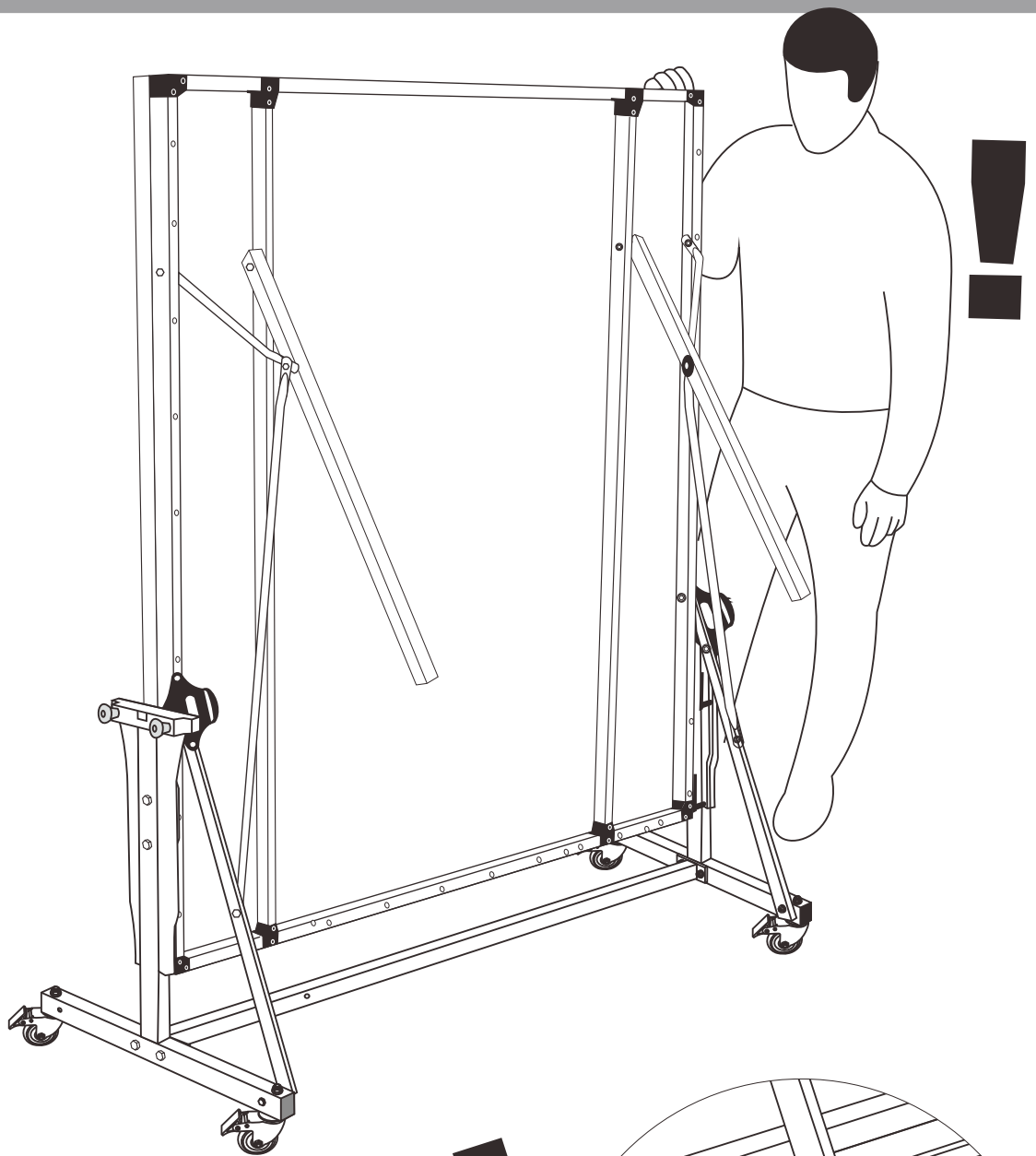


D6

E1



F



Test marks for the assembly



Please repeat these assembly steps with the second half top.



Go back to step “**c**” and assemble the second table top.



Please check all the working parts of the table in accordance with the Instructions for use (**page 10**) after you have completed assembly .If applicable please take care when removing the coating from the playing surface.

